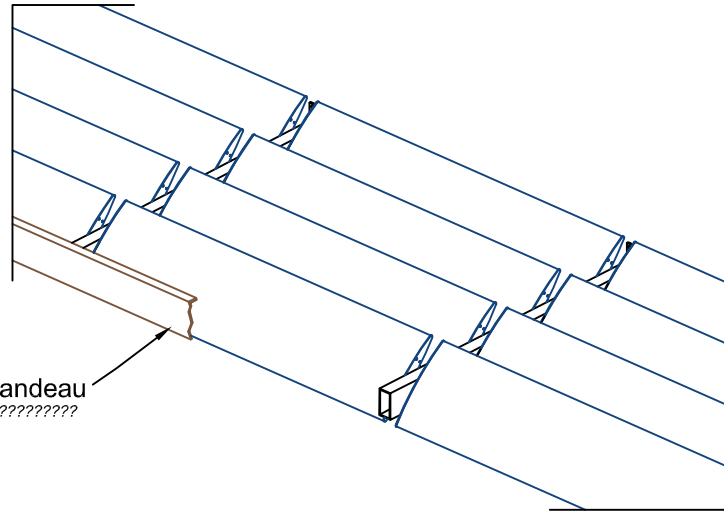


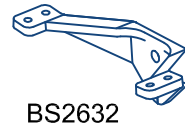
Exemple Version Casquette BS2632

PROJECTION VERSION

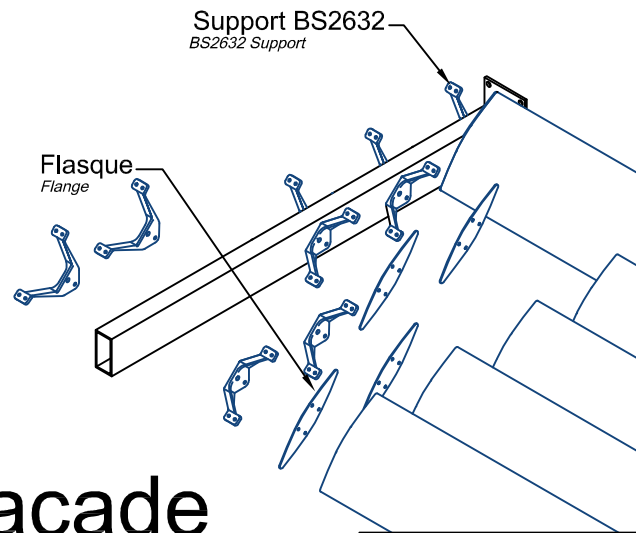
A prévoir visserie appropriée en inox
Adapted s/s screws to plan



Bandeau
???????????



BS2632

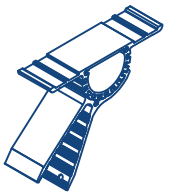
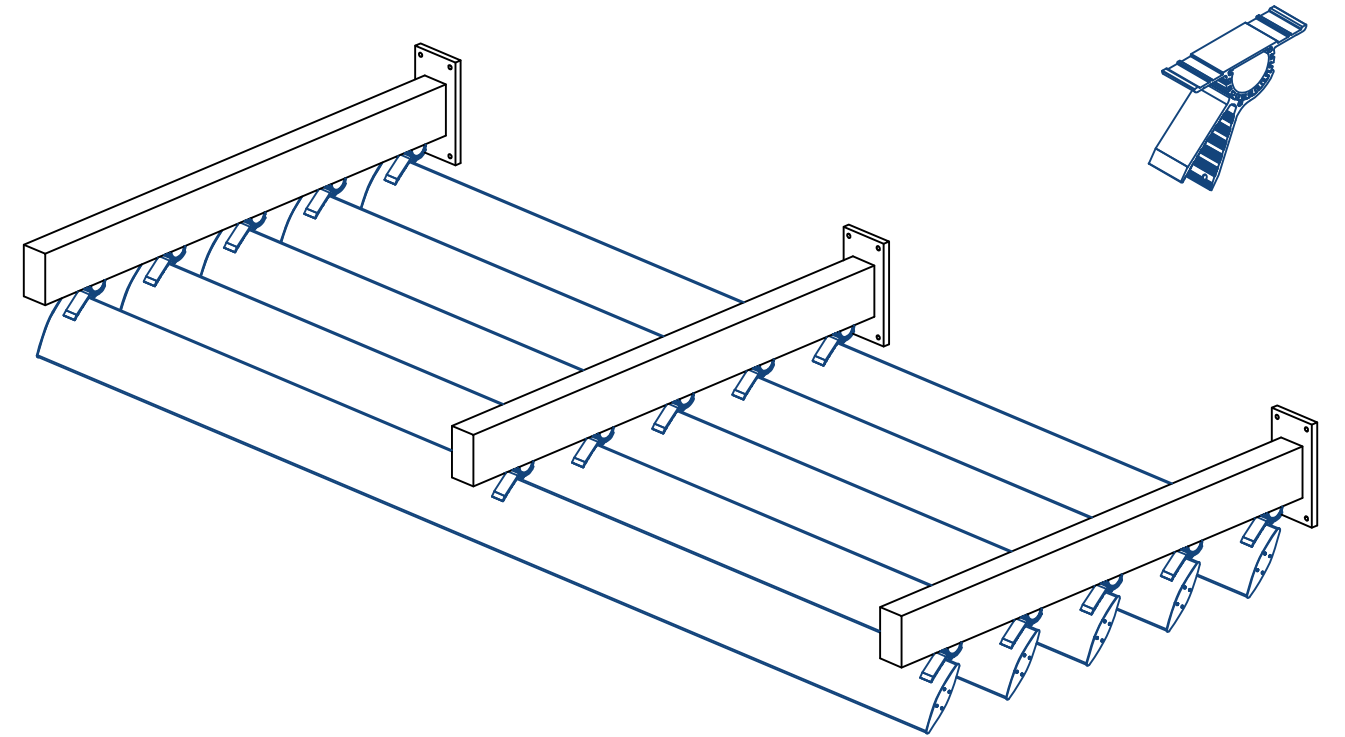


Support BS2632
BS2632 Support

Flasque
Flange

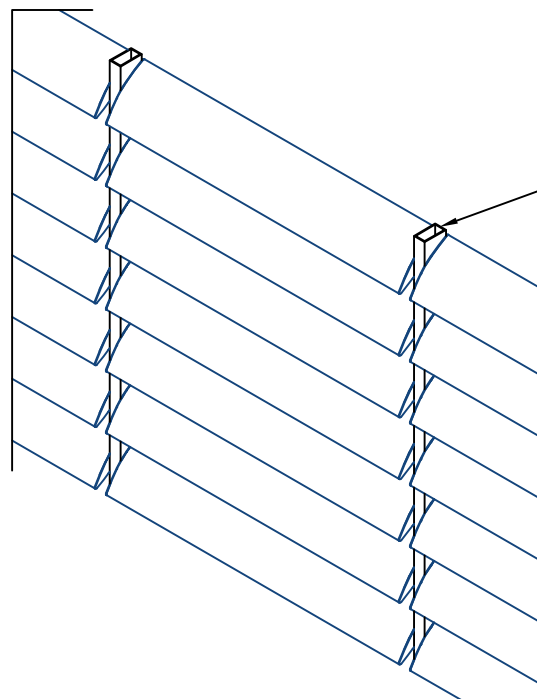
Exemple Version Casquette Alligator

PROJECTION VERSION

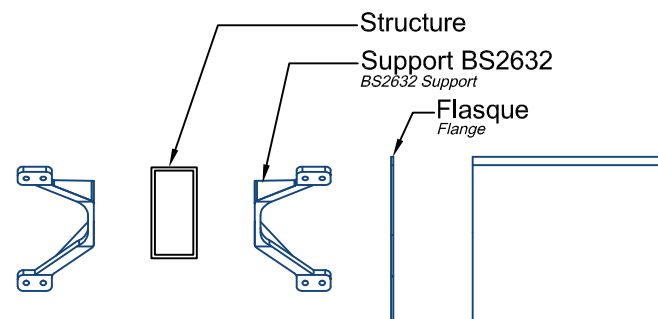


Exemple Version Facade

FACADE VERSION



Structure porteuse
non-fournie
Support structure not supplied

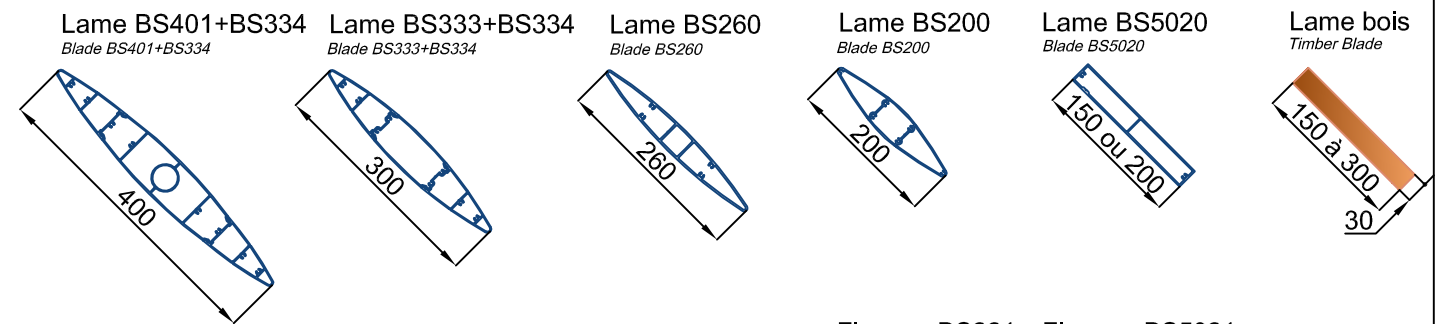


Structure

Support BS2632
BS2632 Support

Flasque
Flange

Remarque:
Drénage à prévoir
Visserie Inox
Drainage to plan, s/s screws



Lame BS401+BS334
Blade BS401+BS334

Lame BS333+BS334
Blade BS333+BS334

Lame BS260
Blade BS260

Lame BS200
Blade BS200

Lame BS5020
Blade BS5020

Lame bois
Timber Blade

Flasque BS241
Flange BS241

Flasque BS231
Flange BS231

Flasque BS261
Flange BS261

Flasque BS221
Flange BS221

Flasque BS5021
Flange BS5021

Système CASQUETTE
BS2632
Aluminium / Bois

PRINCIPE / PRINCIPLE

Réf.: Version sur support Date: 01/12/08

Echelle: -

Dessin: BX



COMMERCIAL / USINE

Tél.: +33(0)2 37 90 46 46
Fax: +33(0)2 37 90 20 10

Mail: info@sab-inter.com
Site: www.sab-inter.com



Systeme Casquette Support

BRISE SOLEIL

- Nom Commercial Casquette Support
- Type de montage ■ Horizontal ■ Vertical
- Type de pose ■ Fixe
- Type de lame ■ Ovoïde ■ Plate ■ Bois
 - Lame ovoïde, gamme EQUINOXE, en aluminium extrudée : BS200, BS260, BS300 et BS400
 - Lame plate gamme HORIZON, en aluminium extrudée : BS5020
 - Lame bois
- Support de lame
 - BS2632 : support en aluminium laqué, à fixer au degré souhaité
A fixer sur la structure porteuse
- Aluminium 6060 T5
- Finition Thermo laquage
Anodisé 20 microns

SAB INTERNATIONAL
 Service commercial / Usine
 ZA Croix Saint Mathieu, 28320 GALLARDON, France
 ☎ 02 37 90 46 46 Fax : 02 37 90 20 10
 Site : www.sab-inter.com / e-mail : contact@sab-inter.com



Projection System Support

SOLAR SHADING

- Commercial name Projection support
- Type of installation ■ Horizontal ■ Vertical
- Type of setting ■ Fixed
- Type of blade ■ Ovoid ■ Flat ■ Timber
 - Ovoid blade, EQUINOXE range, in extruded aluminium : BS200, BS260, BS300 et BS400
 - Flat blade, HORIZON blade, in extruded aluminium : BS5020
 - Timber blade
- Blade support
 - BS2632 : support in lacquered aluminium, to fix at the requested inclination
To fix on the support structure
- Aluminium 6060 T5
- Finishing Thermo lacquering
20 microns anodised

SAB INTERNATIONAL
 Exports Dept. / Factory
 ZA Croix Saint Mathieu, 28320 GALLARDON, France
 ☎ +33 2 37 90 46 46 Fax : +33 2 37 90 20 10
 Website : www.sab-inter.com / e-mail : info@sab-inter.com